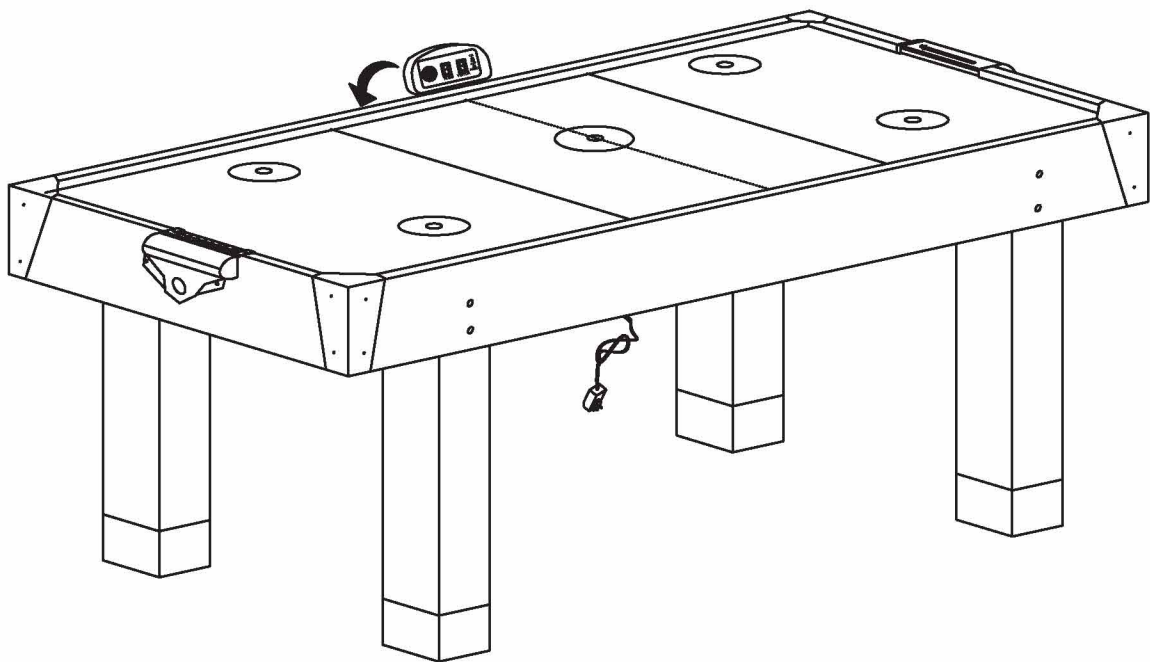


ASSEMBLY INSTRUCTIONS

ITEM#:AUT-5059



PARTS IDENTIFIER

H1

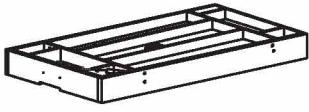


TABLE MAIN
1 PC

H2



LEG
4 PCS

H3



PUCK CATCHER
2 PCS

H4



1/4 "x1-1/8" BOLT
16PCS

H5



1/4" BLACK FLAT WASHER
16PCS

H6



T3.5X12mm SCREW
10 PCS

H7



TOOL
1 PC

H8



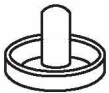
ELECTRONIC SCORER
1 SET

H9



LEG LEVELLERS
4 PCS

H10



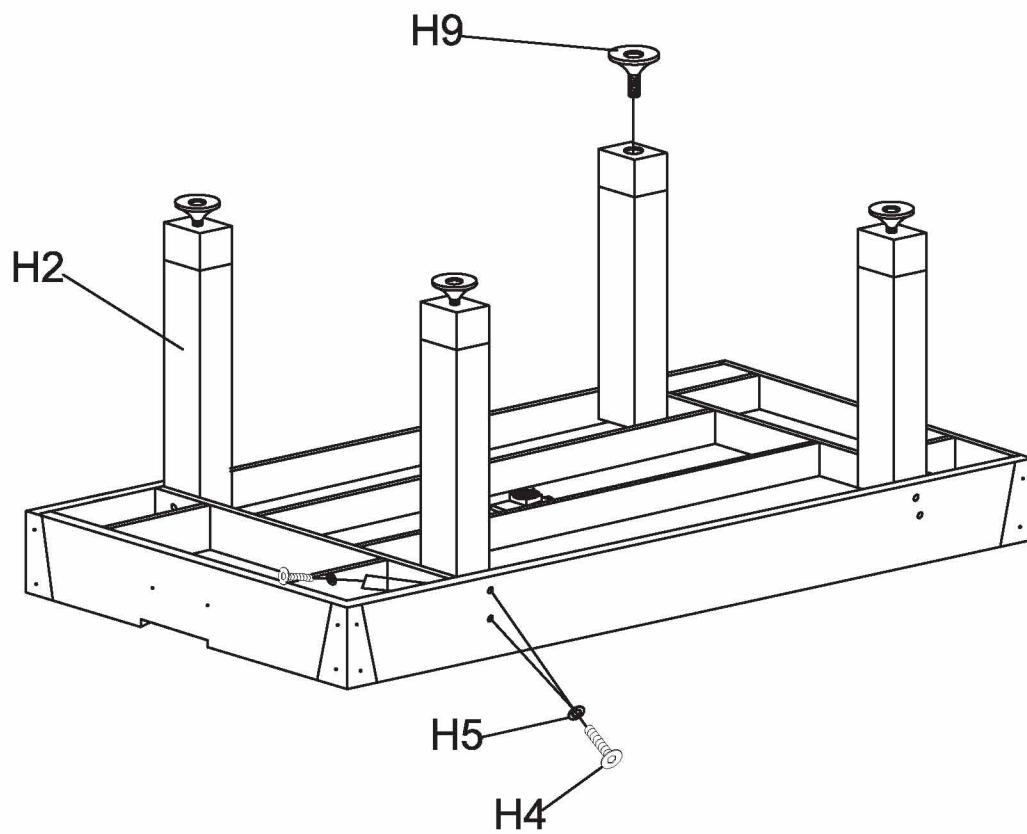
STRIKER
2 PCS

H11

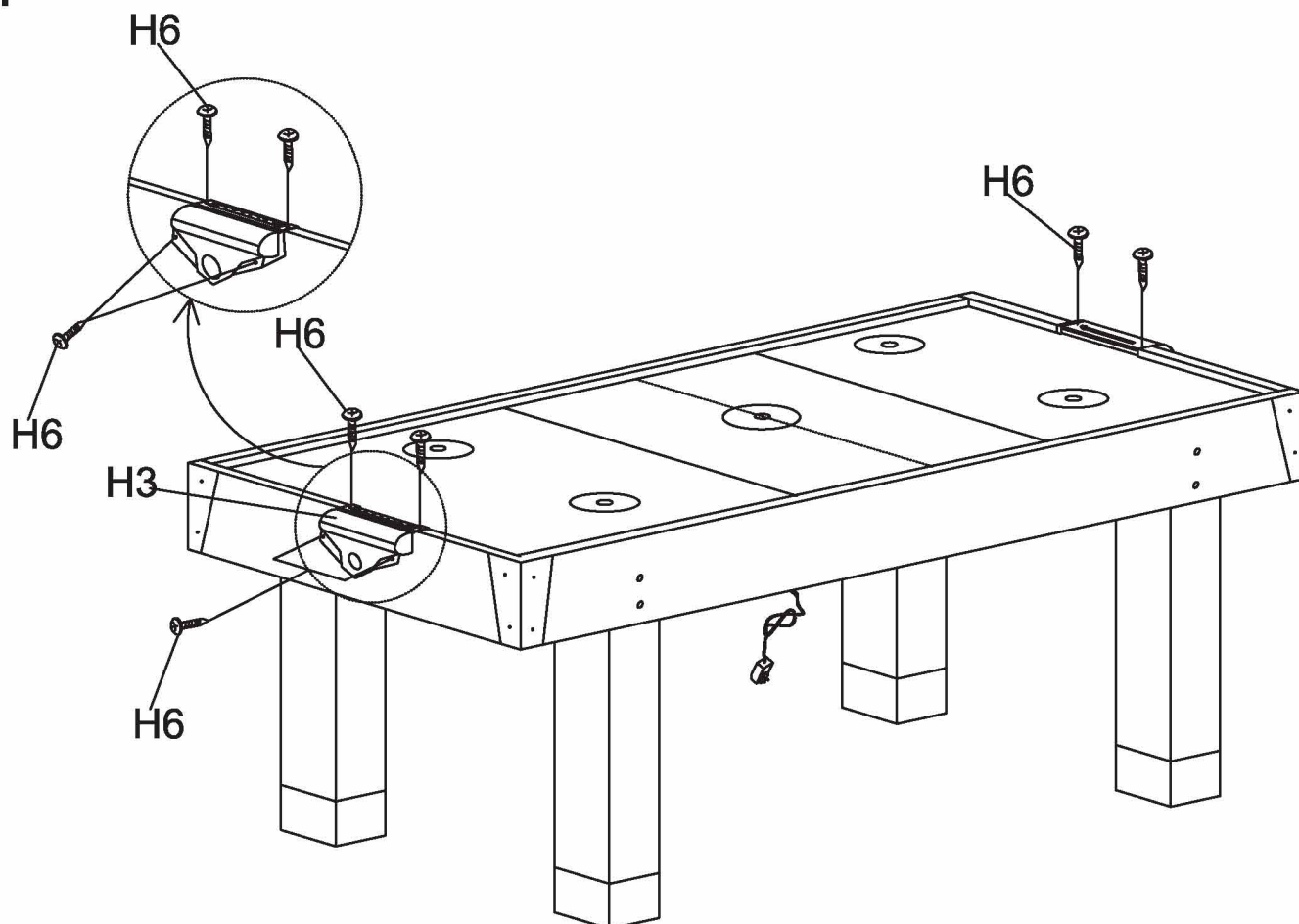


PUCK
2 PCS

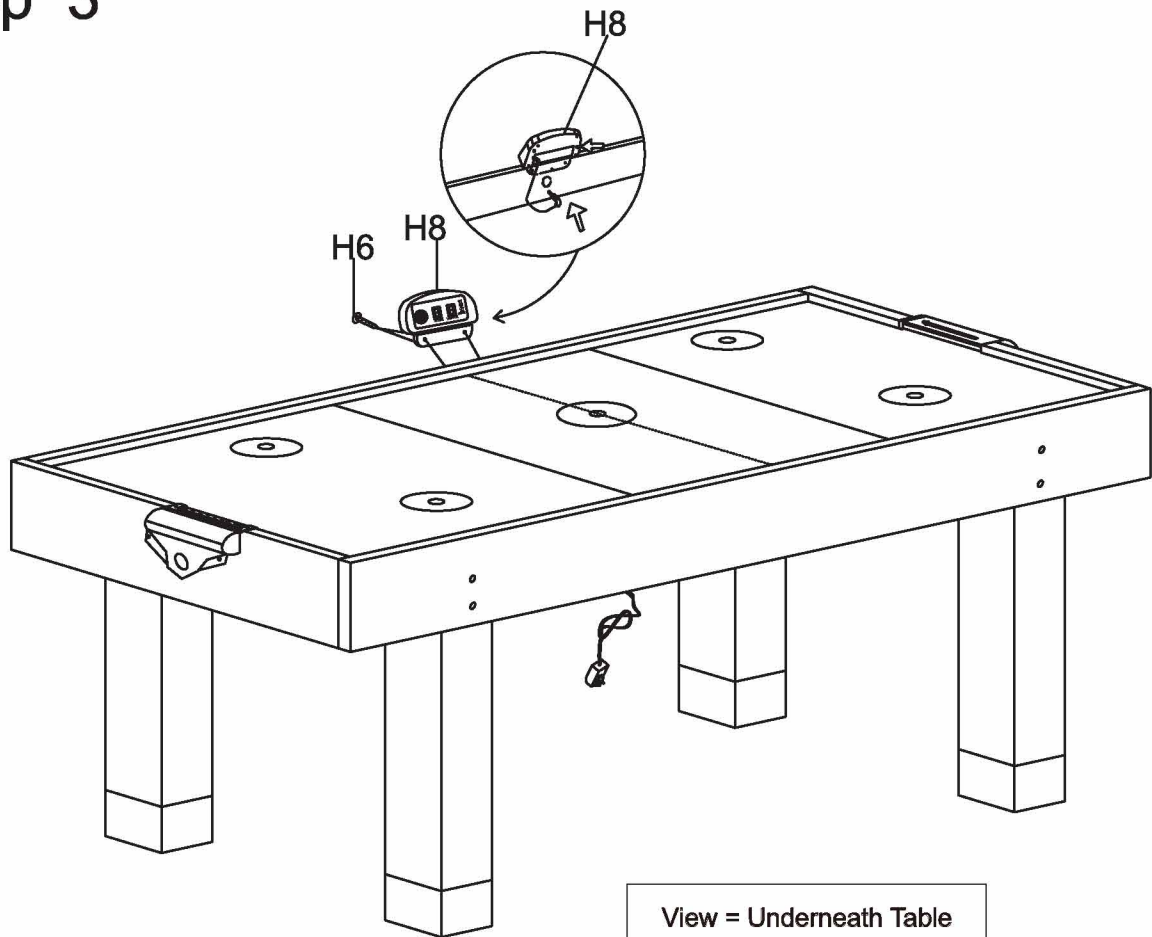
Step 1



Step 2



Step 3



View = Underneath Table

