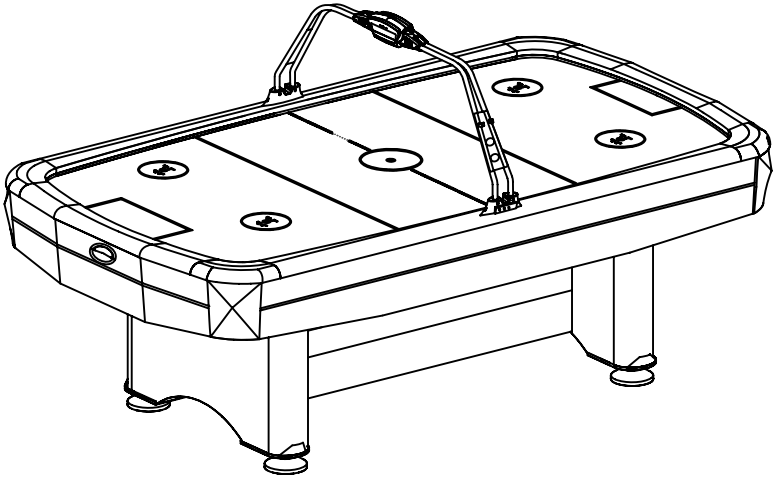


# HOCKEY TABLE

## ASSEMBLY INSTRUCTIONS

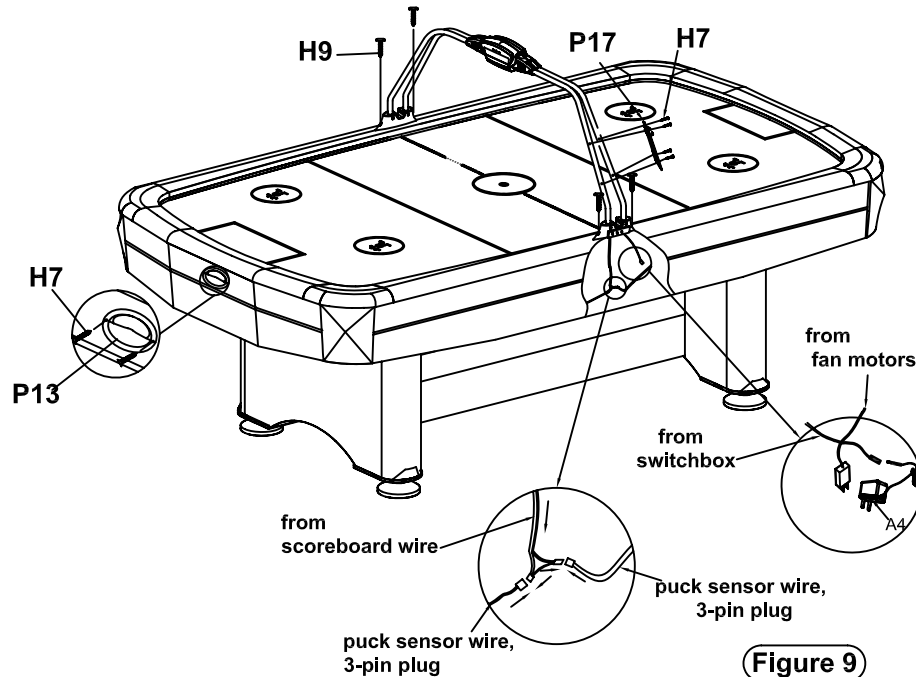


# ASSEMBLY INSTRUCTIONS

## HOCKEY TABLE ASSEMBLY

**WARNING: TWO ADULTS NEEDED TO ASSEMBLE HOCKEY TABLE**













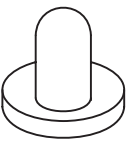

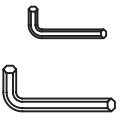


- 11: First attach the **P15** base of the scoreboard assembly to the top rail using **H9** screws.  
 Next, feed the wiring from the **P14** switch box(3-pin plugs, female adaptor plug) down through the top rail, and secure the **P14** base to the top rail using **H9** screws.  
 Connect the 3-pin puck sensor plugs from the main circuit wire to the 3-pin sensor plugs from each goal.  
 Insert the plug from the fan motors into one of the remaining outlets on the power strip.  
 Now insert the 2-prong plug from the switch box directly into the wall outlet .  
 Now you will be able to fully operate all functions of the table using the green and red buttons on the switch box
- 12.Attach the **P17** storage brackets to the brace poles using **H7** screws.



## PARTS IDENTIFIER

<b>P1</b>  Main section- table top 1set	<b>P2</b>  Leg 4pcs	<b>P3</b>  Leg Panel A 2pcs	
<b>P4</b>  Leg Panel B 2pcs	<b>P5</b>  Mid support panel 1pc	<b>P6</b>  Lower Side Panel 2pcs	<b>P7</b>  Lower End Panel 2pcs
<b>P8R</b>  Right Corner Post 2pcs	<b>P8L</b>  Left Corner Post 2pcs	<b>P9</b>  Support Bracket 8pcs	<b>P10</b>  Leg Leveler 4pcs
<b>P11</b>  Leg Base Trim 4pcs	<b>P12</b>  Puck Collection 2pcs	<b>P13</b>  Electronic Scorer 1 set	<b>P14</b>  Switch box(A) 1 pc
<b>P15</b>  Pole base(B) 1 pc	<b>P16R</b>  Brace pole - right 2pcs	<b>P16L</b>  Brace pole - left 2pcs	<b>P17</b>  Storage bracket 2pcs

## PARTS IDENTIFIER

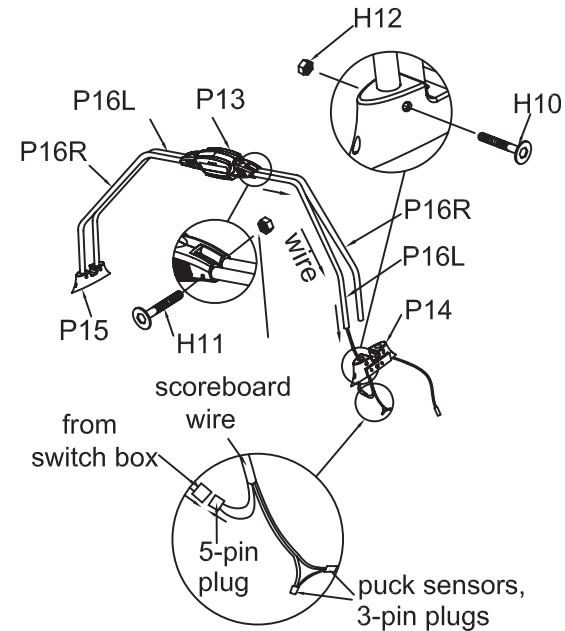
<b>H1</b>  3/16"x1-3/4" Bolt 4pcs	<b>H2</b>  1/4" Bolt 16pcs	<b>H3</b>  3/8" Bolt 12pcs	<b>H4</b>  3/16" Flat Washer 4pcs
<b>H5</b>  1/4" Flat Washer 16pcs	<b>H6</b>  3/8" Flat Washer 12pcs	<b>H7</b>  1/2" Round Screw 48pcs	<b>H8</b>  3/4" Round Screw 48pcs
<b>H9</b>  1" Round Screw 4pcs	<b>H10</b>  3/16"x1-5/8" Bolt 2pcs	<b>H11</b>  3/16"x2-5/8" Bolt 2pcs	<b>H12</b>  3/16" Lock Nut 6pcs
<b>A1</b>  Striker 4pcs	<b>A2</b>  Puck 6pcs	<b>A3</b>  Allen Key 2pcs	<b>A4</b>  Glue 1set
<b>A5</b>  (A5)-Transformer 1pc	<b>A6</b>		

## ASSEMBLY INSTRUCTIONS

### HOCKEY TABLE ASSEMBLY

**WARNING: TWO ADULTS NEEDED TO ASSEMBLE HOCKEY TABLE**

10. Secure the scoreboard to both brace poles using **H11** bolts and **H12** locknuts. Now feed the scoreboard wire down through the **P14** switch box. Insert and secure the brace poles to the switch box using **H12** bolts and **H10** lock nuts. Connect the 5-pin plug from the scoreboard wire to the 5-pin plug from the switch box. this wire group will be placed inside the switch box before you attach it to the top rail.



**Figure 8**

# ASSEMBLY INSTRUCTIONS

## HOCKEY TABLE ASSEMBLY

WARNING: TWO ADULTS NEEDED TO ASSEMBLE HOCKEY TABLE

7: Attach the previously made leg assemblies to the main section table top using 3/8 bolts **H3** and flat washers **H6**, as shown in **FIGURE 6**.

8: Attach the leg base trim **P11** to the legs using screws **H7**, as shown in **FIGURE 6**.

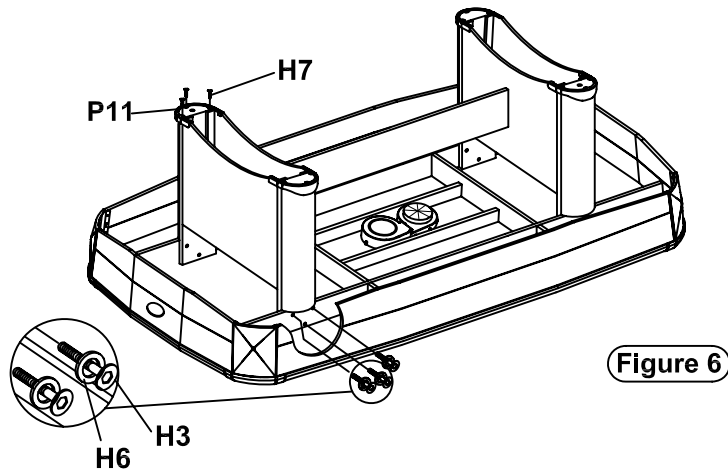


Figure 6

9: Screw one leg leveler **P10** into the bottom of each leg, as shown in **FIGURE 7**.

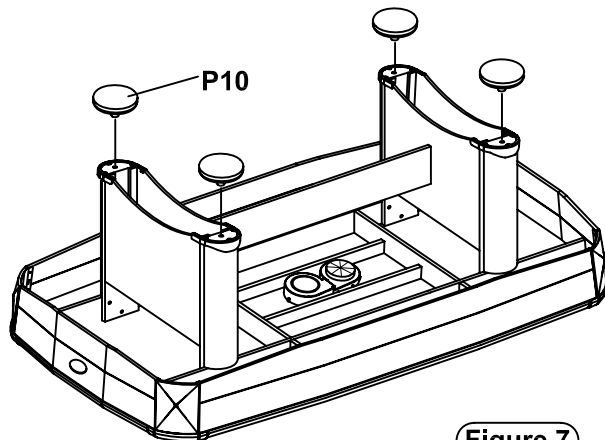


Figure 7

# ASSEMBLY INSTRUCTIONS

## HOCKEY TABLE ASSEMBLY

WARNING: TWO ADULTS NEEDED TO ASSEMBLE HOCKEY TABLE

1: Find a clear level area to assemble your hockey table on. We recommend flattening the out delivery carton and building the table on it to protect parts during assembly. Place the main section table top **P1** on the ground, playing surface face down.

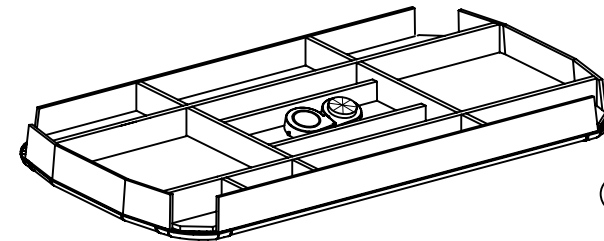


Figure 1

2: Attach the leg panels **P3** to the legs **P2** using 1/4 bolts **H2** and flat washers **H5**, as shown in **FIGURE 2**. Repeat this step for all the legs and leg panels.

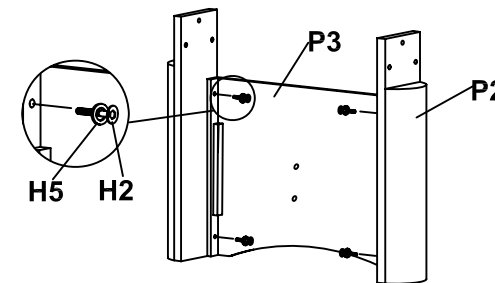


Figure 2

# ASSEMBLY INSTRUCTIONS

## HOCKEY TABLE ASSEMBLY

WARNING: TWO ADULTS NEEDED TO ASSEMBLE HOCKEY TABLE

- 3: Attach the mid support panel **P5** to the leg panel **P3** using 3/16 bolts **H1** and flat washers **H4**, as shown in **FIGURE 3**.

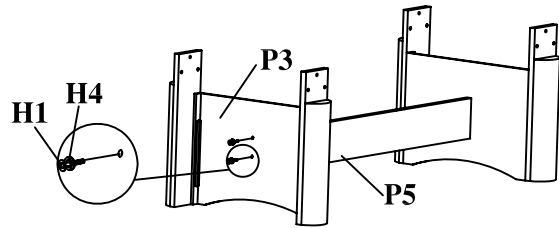


Figure 3

- 4: Attach the leg panels **P4** to the exposed side of the legs **P2** using 1/4 bolts **H2** and flat washers **H5**, as shown in **FIGURE 4**.

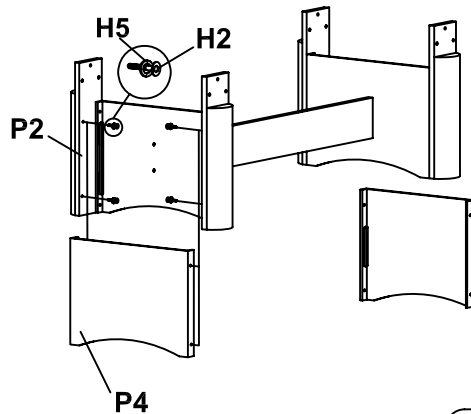


Figure 4

# ASSEMBLY INSTRUCTIONS

## HOCKEY TABLE ASSEMBLY

WARNING: TWO ADULTS NEEDED TO ASSEMBLE HOCKEY TABLE

The following steps will require use of the glue provided **A4** to help secure the parts together. Apply glue behind the wooden blocks on the lower and on the edges of the support brackets, wipe off any excess glue during the process with a damp cloth.

- 5: Attach the relevant corner posts **P8R** & **P8L** to the corners using screws **H7** as shown in **FIGURE 5**.
- 6: Attach the lower side panels **P6** and the lower end panels **P7** using screws **H8**, as shown in **FIGURE 5**. Make sure the edges of the lower and upper aprons are flush with each other. Next attach the support brackets **P9** between the lower panels and the frame using screws **H8** as shown in **FIGURE 5**.

WARNING: The corner post **P8R** & **P8L** with "L" marked on it should be attached to the lower side of panel **P6**.  
The corner post **P8** with "S" marked on it should be attached to the lower end panel **P7**.

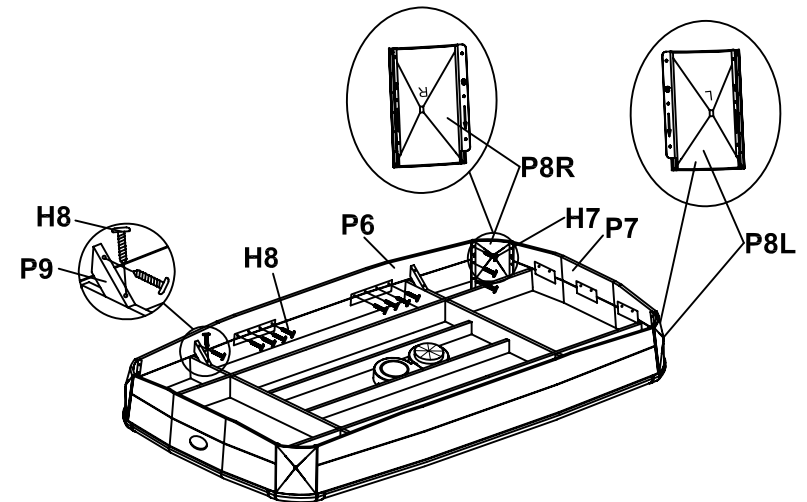


Figure 5