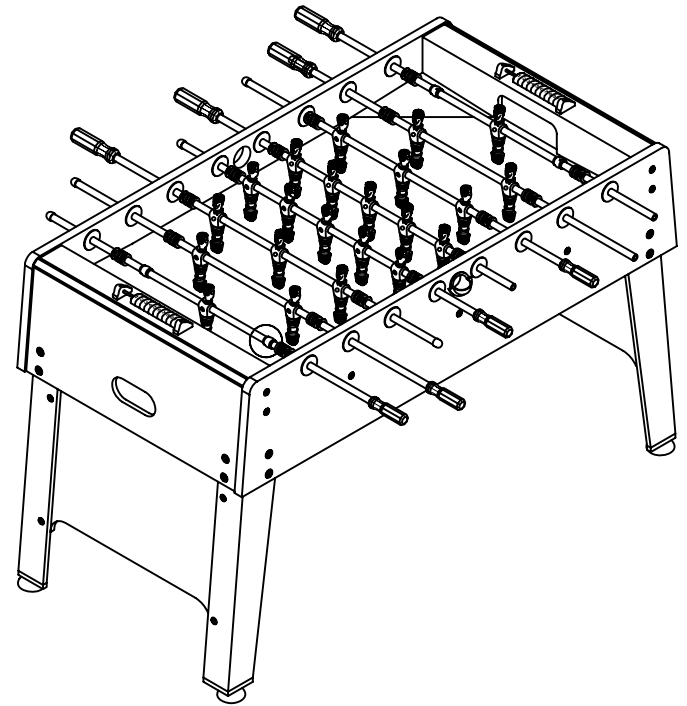
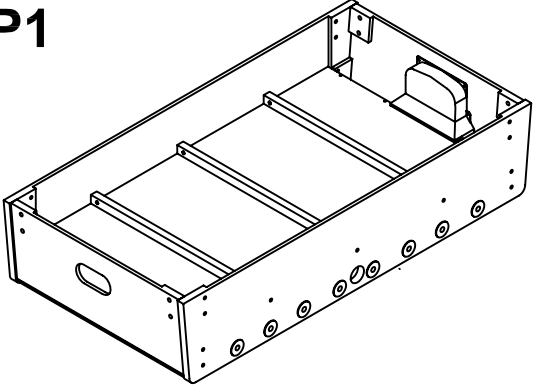


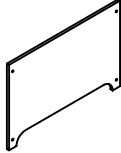
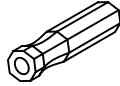
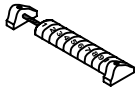
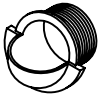




# TABLE SOCCER

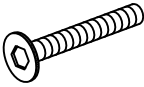






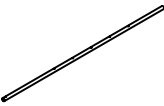

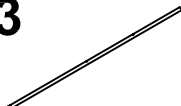

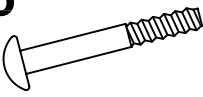
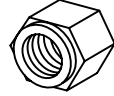
## ASSEMBLY INSTRUCTIONS



# PARTS IDENTIFIER

<p><b>P1</b></p>  <p>Soccer table 1set</p>	<p><b>P2</b></p>  <p>Left leg 2pcs</p> <hr/> <p><b>P3</b></p>  <p>Right leg 2pcs</p>	
<p><b>P4</b></p>  <p>Leg panels 2pcs</p>	<p><b>P5</b></p>  <p>Handle 8pcs</p>	<p><b>P6</b></p>  <p>Slide scorer 2pcs</p>
<p><b>P7</b></p>  <p>Ball entry cup 2pcs</p>	<p><b>P8</b></p>  <p>Ball entry socket 2pcs</p>	<p><b>P9</b></p>  <p>Rod end cap 8pcs</p>

# PARTS IDENTIFIER

<b>H1</b>  1-1/2" Bolt 16pcs	<b>H2</b>  1" Bolt 8pcs	<b>H3</b>  5/16" washer 16pcs
<b>H4</b>  1/4" washer 8pcs	<b>H5</b>  1" Flat head screw 4pcs	<b>H6</b>  1/2" Round head screw 2pcs
<b>H7</b>  Leg leveler 4pcs		
<b>C1</b>  5 Player rod 2pcs	<b>C2</b>  1 & 3 Player rod 4pcs	<b>C3</b>  2 Player rod 2pcs
<b>C4</b>  Rubber bushing 16pcs	<b>C5</b>  5/32"x1" Bolt 26pcs	<b>C6</b>  Locking nut 26pcs

# ASSEMBLY INSTRUCTIONS

## SOCCER TABLE ASSEMBLY

**WARNING: TWO ADULTS NEEDED TO ASSEMBLE SOCCER TABLE**

- 4.3. Once all rods are in place, attach the players and stop rings **C10** with bolts **C5** and nut **C6** as show in **Figure 3**.
5. Slide handle **P5** onto the end of the rods with the hole closer to the end. Slide the rubber caps **P9** on the other end of the rod as show in **Figure 3**.

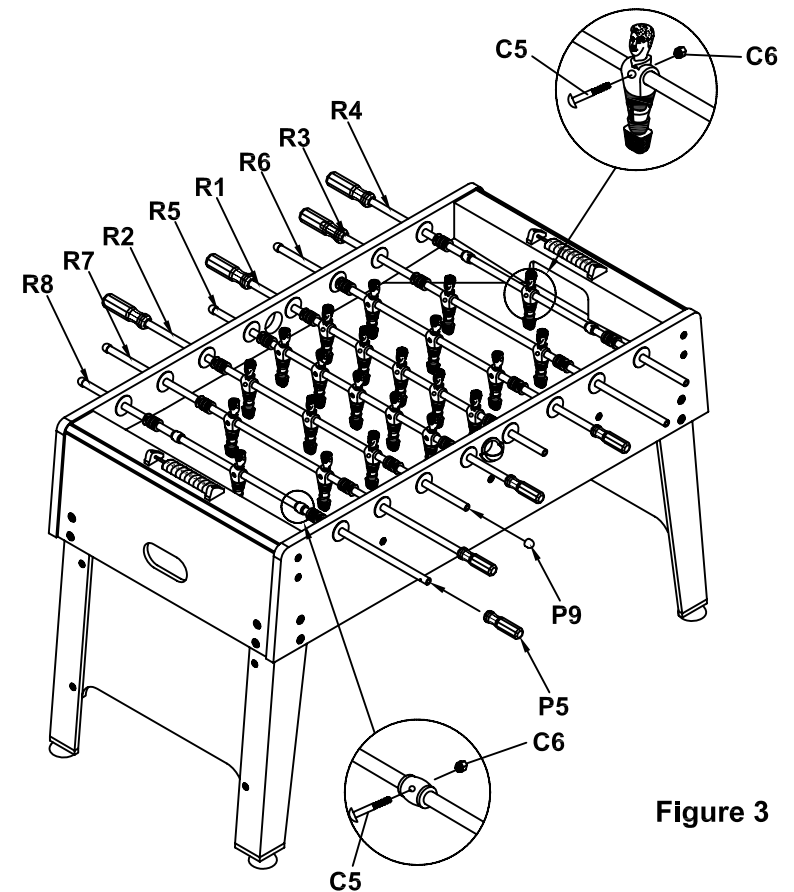


Figure 3

# ASSEMBLY INSTRUCTIONS

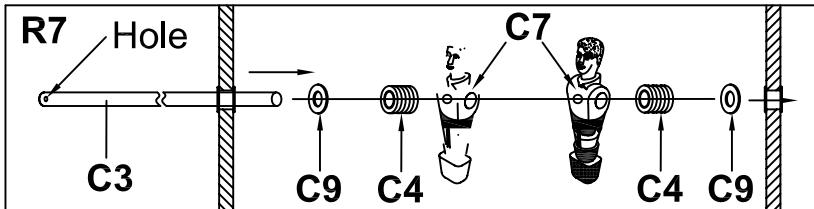
## SOCCER TABLE ASSEMBLY

WARNING: TWO ADULTS NEEDED TO ASSEMBLE SOCCER TABLE

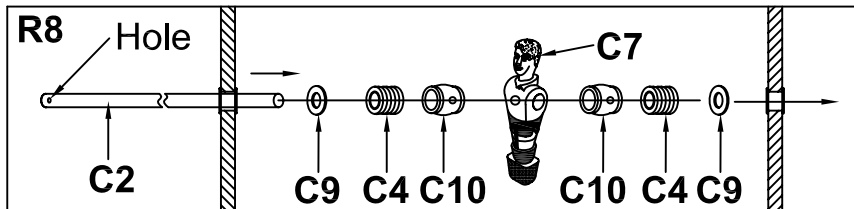
### REMINDER:

Each play rod has a screw hole to secure the handle **P8**. The handle for play rod **R1**, **R2**, **R3**, and **R4** must be all on the same side of the table. The handle for play rods **R5**, **R6**, **R7** and **R8** must be on the opposite side of the table. Please refer to the **Figure 3** (page 7) for the positioning and direction of the screw hole and handle for each rod.

- 4.1. Assembly player rod **R1**, **R2**, **R3**, **R5**, **R6**, **R7**: Insert the player rods **C1**, **C2** & **C3** through one side panel, then insert plastic washers **C9**, rubber bushing **C4**, players **C7** or **C8**, rubber **C4** and washer **C9** through the rod, finally insert the player rod through other side panel



- 4.2. Assembly player rod **R4** and **R8**: Insert the player rod **C2** through one side panel, then insert plastic washers **C9**, rubber bushing **C4**, stop ring **C10**, player **C7** or **C8**, stop ring **C10**, rubber **C4** and washer **C9** through the rod, finally insert the player rod through other side panel.



## PARTS IDENTIFIER

<b>C7</b>  Home men 11pcs	<b>C8</b>  Away men 11pcs	<b>C9</b>  Plastic washer 16pcs
<b>C10</b>  Stop ring 4pcs	<b>A1</b>  Soccer ball 4cs	<b>A2</b>  Tool 1pc
<b>R1</b>  5 Home players rod    1pc	<b>R5</b>  5 Away players rod    1pc	
<b>R2</b>  3 Home players rod    1pc	<b>R6</b>  3 Away players rod    1pc	
<b>R3</b>  2 Home players rod    1pc	<b>R7</b>  2 Away players rod    1pc	
<b>R4</b>  1 Home players rod    1pc	<b>R8</b>  1 Away players rod    1pc	

# ASSEMBLY INSTRUCTIONS

## SOCCER TABLE ASSEMBLY

WARNING: TWO ADULTS NEEDED TO ASSEMBLE SOCCER TABLE

**IMPORTANT:**  
Please read through the instruction book before attempting assembly to familiarize yourself with all part and assembly steps.

1. Attach the legs **P2** & **P3** with bolts **H1** and washers **H3**. Attach the leg panels **P4** with bolts **H2** and washers **H4**. Attach the leg levelers **H7** as shown in **Figure 1**.

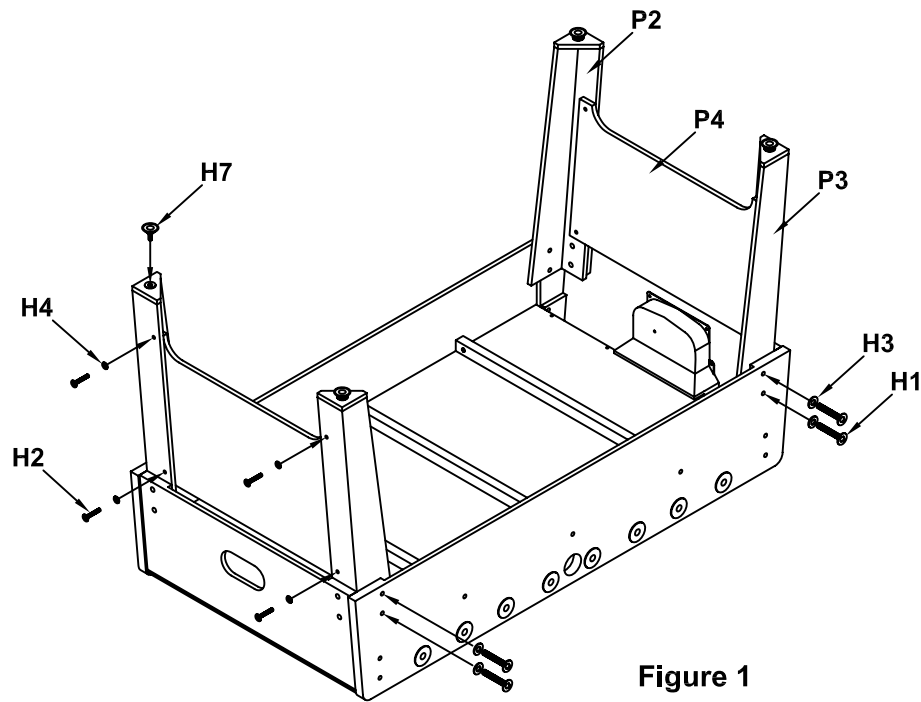


Figure 1

# ASSEMBLY INSTRUCTIONS

## SOCCER TABLE ASSEMBLY

WARNING: TWO ADULTS NEEDED TO ASSEMBLE SOCCER TABLE

2. Attach ball entry cups **P7** and ball entry cup sockets **P8** to the side panels with screws **H6** as shown in **Figure 2**.
3. Attach the two sets of slide scorer **P6** to the end of table with screws **H5**. See **Figure 2**.

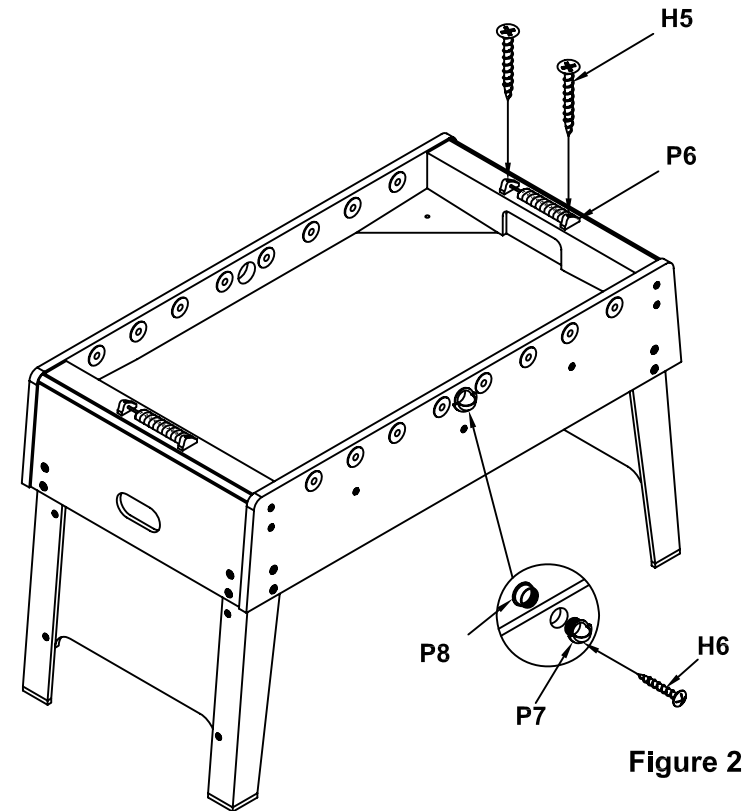


Figure 2